

Applied Pulsed Power™

A Division of Silicon Power Corporation

280 Great Valley Parkway
Malvern, PA 19355-1308

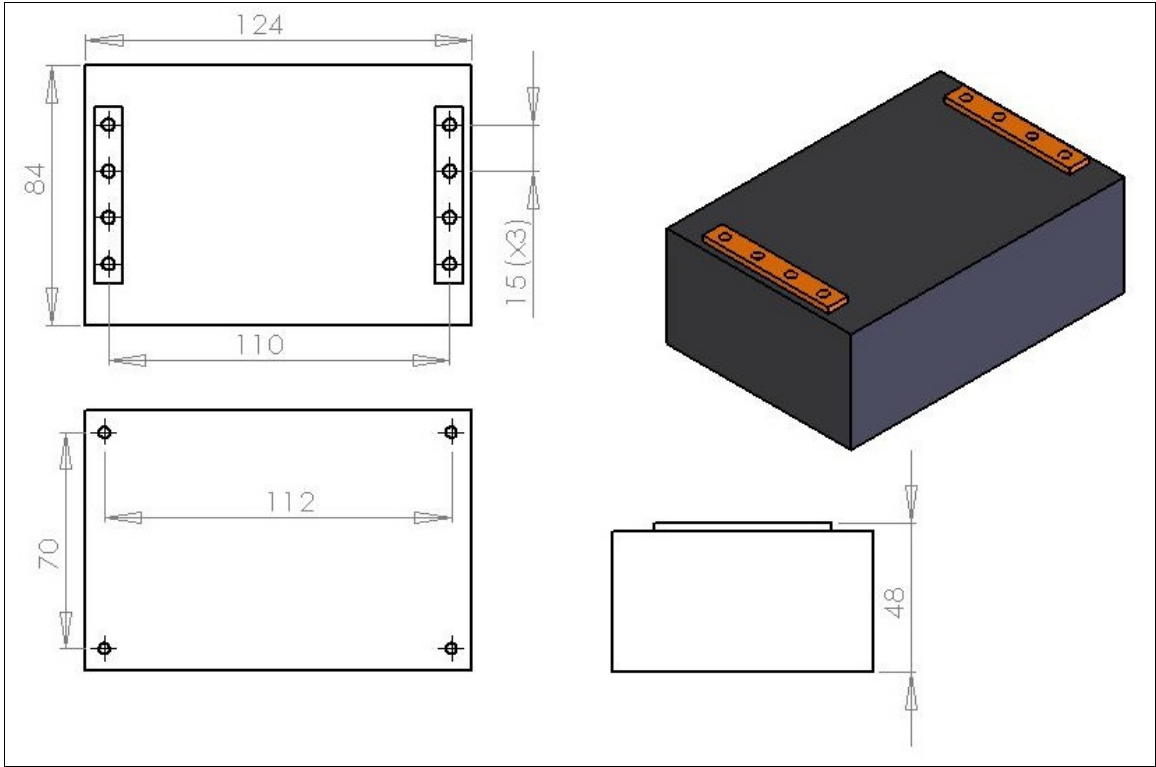
Phone: 610-407-4700
www.appliedpulsedpower.com

Model DFB15013-B High Speed Pulsed Power Diode Preliminary Data March 2017

The DFB series diodes are designed for pulsed power applications capable of handling high peak currents with fast soft reverse recovery. These diodes come in different current and voltage ratings.

Operational Ratings

Parameter	Value	Units
Peak Repetitive Reverse Voltage (V_{RRM})	13	kV
DC Blocking Voltage (V_{RWM})	11	kV
Peak Repetitive Current (I_{FSM} , $t_{PW} \leq 10$ usec)	7500	Amps
Maximum On-State Current ($I_{F(AV)}$)	4.8	Amps
Operating Temperature Range	0 to 60	°C
Reverse Recovery Time (t_{RR} , $I_F=50A$)	100	ns
Avalanche Energy (E_{AVL})	1	J
Leakage Current (I_R , $V_R=10kV$)	0.5	mA
Capacitance	200	pF
Forward Voltage Drop (V_F , $I_{FSM} = 1.5$ kA)	65	V
Inductance	75	nH



Dimensions in mm