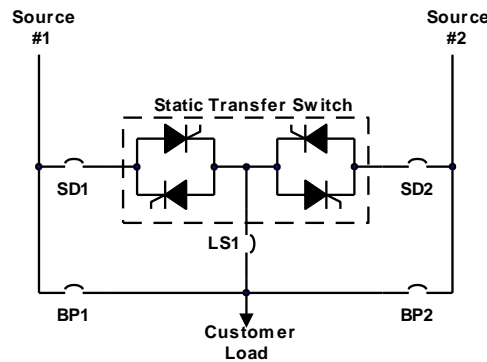
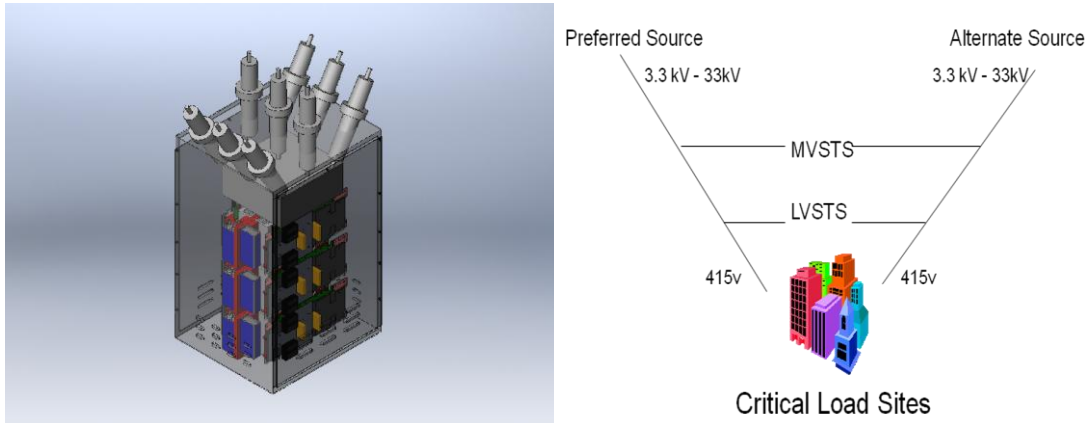


SSTS™ Solid State Transfer Switch

Product Applications



Modular Design Scalable Cost Effective Network Compatible

The Silicon Power SSTS™ is a modular power-electronic replacement for conventional distribution switchgear. The SSTS™ offers rapid load transfer when compared with conventional systems. The SSTS™ provides and supports an extensive range of voltage classes, from urban or suburban locations up to utility scale applications.

The SSTS™ offers 100 μ s transfer times for 3 phase or 3 phase plus neutral systems whereas legacy generations of transfer switches operate in the 4-8 ms time range. The SSTS™ provides some measure of fault current limiting behavior, reducing stress on downstream circuit breakers. The SSTS™ reduces maintenance costs and with its Ethernet or RS232 options, the SSTS™ can act as a monitoring node in a larger monitoring system. Silicon Power Corporation SSTS™ Modular Technology; ...Supporting the Smart-Grid of Tomorrow.